

**xTOOL Concealed thermostat module with 1 valve -**

35 511 970 90



- red brass, lead-free
- 2x back flow preventer
- 2x female thread 3/4" connections
- 1x female thread 3/4" outlet for additional valves
- 1x female thread 3/4" outlet, right/left alternatively
- 2x dust cover
- 2x anti-water packing
- soundproofing
- gauge 120 mm
- suitable for xGRID (when using installation track + 12 mm recess depth)

**Recommended miscellaneous**

**Extension 28 mm -**

12 177 970 90



**Recommended miscellaneous**

**Extension 46 mm -**

12 178 970 90



**Required miscellaneous**

**Leak protection 3/4" -**

12 012 970 90

- This article is needed 2x.



**Required miscellaneous**

**Drybox Concealed thermostat -**

XS-09 0731

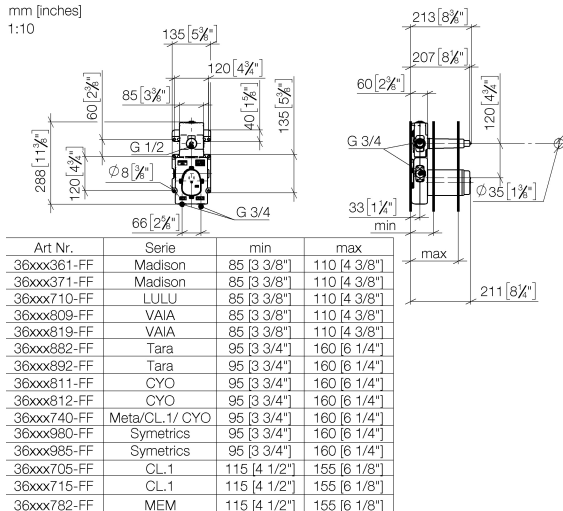
- Overflow is part of the scope of delivery.



## xTOOL Concealed thermostat module with 1 valve -

35 511 970 90

mm [inches]  
1:10

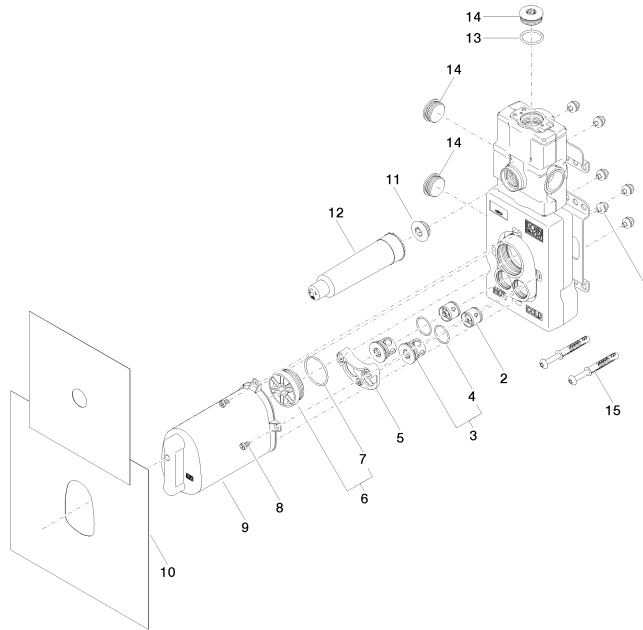


### Certificates

Belgqua\_21-031- WRAS\_2011026. ACS\_21 ACC LY 141. DVGW\_DW-27\_6. 6512DN0706.

**xTOOL Concealed thermostat module with 1 valve -**

35 511 970 90



**Spare parts list**

| No. | Item Number        | Name                | Quantity used | Delivery time |
|-----|--------------------|---------------------|---------------|---------------|
| 1   | 90 23 01 091 00 90 | set                 | 6             | 2             |
| 2   | 90 23 01 045 00 90 | back-flow preventer | 2             | 2             |
| 3   | 04 21 34 077 00 90 | nipple              | 2             | 2             |
| 4   | 09 14 10 098 90    | seal                | 2             | 2             |
| 5   | 90 12 12 218 00 90 | base                | 1             | 2             |
| 6   | 04 31 20 100 00 90 | plug                | 1             | 2             |
| 7   | 09 14 10 111 90    | seal                | 1             | 2             |
| 8   | 09 30 30 112 90    | screw               | 4             | 2             |
| 9   | 04 21 02 174 01 90 | cap                 | 1             | 2             |
| 10  | 04 14 03 073 05 90 | gasket kit          | 1             | 2             |
| 11  | 04 31 20 006 00 90 | plug                | 1             | 2             |
| 12  | 09 21 02 173 90    | cap                 | 1             | 2             |
| 13  | 09 14 10 009 90    | seal                | 1             | 2             |
| 14  | 09 31 20 003 90    | plug                | 3             | 2             |
| 15  | 04 30 31 054 00 90 | fixing set          | 2             | 2             |